

PC CONTROL COMMAND
REFERENCE FOR THE
TS-480HX/ SAT TRANSCEIVER

KENWOOD

KENWOOD CORPORATION

© 2003/11/28
09 08 07 06 05 04 03 02 01 00

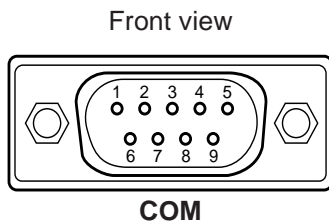
PC CONTROL COMMAND

ABOUT THIS REFERENCE

All descriptions in this PC CONTROL COMMAND reference are for the users convenience only. **KENWOOD** will not support or warrantee this documentation in any way.

HARDWARE DESCRIPTION

The TS-480 transceiver uses a full-duplex, asynchronous, serial interface for communicating through the male 9-pin D-sub connector. Each data is constructed with 1 start bit, 8 data bits, and 1 stop bit (4800 bps must be configured as 2 stop bits). No parity is used. The pinout and the pin functions of the **COM** connector on the transceiver are shown below:



COM Pin No.	COM Pin Name (Ref.: Computer)	Function (Ref.: Transceiver)	I/O
1	NC	—	—
2	RXD	Transmit data	Output
3	TXD	Receive data	Input
4	NC	—	—
5	GND	Signal ground	
6	NC	—	—
7	RTS	Receive enable	Input
8	CTS	Transmit enable	Output
9	NC	—	—

RXD: Transmit data is serial data transferred from the transceiver to the computer.

TXD: Receive data is serial data transferred from the computer to the transceiver.

GND: Signal ground pin

RTS: This signal is applied to the transceiver. It is used to inhibit transmit data from the transceiver when the computer is not ready to receive data. Transmit data is inhibited when the level is low.

CTS: This signal is applied from the transceiver. It is used to inhibit transmit data from the computer when the transceiver is not ready to receive data. Transmit data is stopped when the level is low.

CONTROL OPERATION

Most computers handle data in the form of “bits” and “bytes”. A bit is the smallest piece of information that a computer can handle. A byte is composed of eight bits. This is the most convenient form for most computer data. This data may be sent in the form of either serial or parallel data strings. The parallel method is faster but more complicated, while the serial method is slower and requires less complicated equipment. The serial form is, therefore, a less expensive alternative.

Serial data transmission uses time-division methods over a single line. Using a single line also offers the advantage of reducing the number of errors due to line noise.

Only 3 lines are required theoretically for control of the transceiver via the computer:

- Transmit data
- Receive data
- Ground

From a practical standpoint, it is also necessary to incorporate some means of controlling when this data transfer will occur. The computer and transceiver cannot be allowed to send data at the same time! The required control is achieved by using the RTS and CTS lines. To interface between the TS-480 transceiver and a PC, use a commercially available cable with a DB-9 female connector at each end. Each connector pin must be connected to the same pin number at the other end (a straight cable).

To control the transceiver from a PC, utilize the general purpose terminal program to send commands to the transceiver. The transceiver responds the command accordingly.

For example, the transceiver is placed into the transmit mode whenever the character string “TX;” is sent from the computer. The character string “TX;” is called a PC control command.

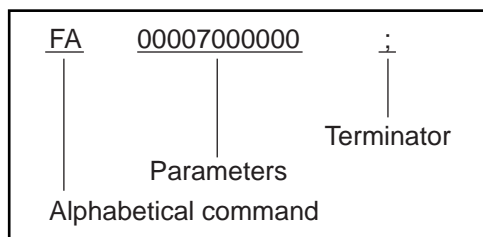
You can further develop or create a script of the commands using a macro function of the terminal program. Kenwood also provides the remote control program, ARCP-480 at our Web site. You can download the program for free and try it out on your PC. Access <http://www.kenwood.com/i/products/info/amateur.html> and follow the instructions.

PC CONTROL COMMAND

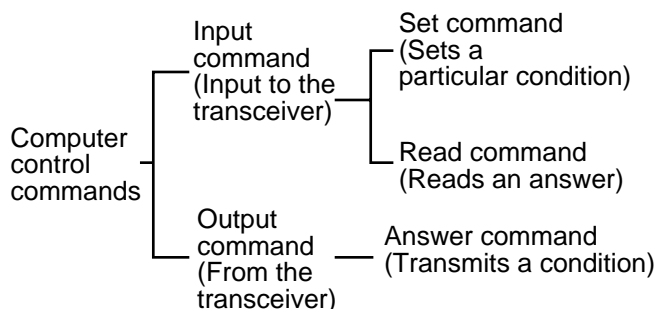
COMPUTER CONTROL COMMANDS

A computer control command is composed of an alphabetical command, various parameters, and the terminator that signals the end of the control command.

EXAMPLE: Command to set VFO A to 7 MHz



Commands can be classified as shown below:



For example, note the following in the case of the FA command (Frequency of VFO A):

- To set the frequency to 7 MHz, the following command is sent from the computer to the transceiver:

“FA00007000000;” **(Set command)**

- To read the frequency of VFO A, the following command is sent from the computer to the transceiver:

“FA;” **(Read command)**

- When the Read command above has been sent, the following command is returned to the computer:

“FA00007000000;” **(Answer command)**

Note:

- Do not use the control characters 00 to 1Fh since they are either ignored or cause a “?” answer.
- Program execution may be delayed while turning the **Tuning** control rapidly.

Alphabetical Commands

A command consists of 2 alphabetical characters. You may use either lower or upper case characters. The commands available for this transceiver are listed in the PC Control Command Tables from page 3.

Parameters

Parameters are used to specify information necessary to implement the desired command. The parameters to be used for each command are predetermined. The number of digits assigned to each parameter is also predetermined. Refer to the Computer Control Commands and the PC Control Command Tables to configure the appropriate parameters.

When configuring parameters, be careful not to make the following mistakes.

(correct parameter: “IS+1000”)

- IS1000; Not enough parameters specified (No direction given for the IF shift)
- IS+100; Not enough digits (Only three frequency digits given)
- IS + 1000; Unnecessary characters between parameters
- IS+10000; Too many digits (Five frequency digits given)

Note: If a particular parameter is not applicable to this transceiver, the parameter digits should be filled using any character except the ASCII control codes (00 to 1Fh) and the terminator (;).

Terminator

To signal the end of a command, it is necessary to use a semicolon (;). The digit where this special character must appear differs depending on the command used.

Error Messages

In addition to the Answer command, the transceiver can send the following error messages.

Error Message	Reason for Error
?;	<ul style="list-style-type: none"> Command syntax was incorrect. Command was not executed due to the current status of the transceiver (even though the command syntax was correct). <p>Note: Occasionally this message may not appear due to microprocessor transients in the transceiver.</p>
E;	A communication error occurred such as an overrun or framing error during a serial data transmission.
O;	Receive data was sent but processing was not completed.

PC CONTROL COMMAND TABLES

AC	Sets or reads the internal antenna tuner status.										Parameters:
Set	1	2	3	4	5	6	7	8	9	10	P1 0: RX-AT THRU 1: RX-AT IN
	A	C	P1	P2	P3	;					
Read	1	2	3	4	5	6	7	8	9	10	P2 0: TX-AT THRU 1: TX-AT IN
	A	C	;								
Answer	1	2	3	4	5	6	7	8	9	10	P3 0: Stop tuning (Set)/ Tuning is stopped (Answer) 1: Start tuning (Set)/ Tuning is active (Answer)
	A	C	P1	P2	P3	;					

AG	Sets or reads the AF gain.										Parameters:
Set	1	2	3	4	5	6	7	8	9	10	P1 0: Always 0 for the TS-480. P2 000 (min.) ~ 255 (max.)
	A	G	P1	P2	P2	P2	;				
Read	1	2	3	4	5	6	7	8	9	10	
	A	G	P1	;							
Answer	1	2	3	4	5	6	7	8	9	10	
	A	G	P1	P2	P2	P2	;				

AI	Sets or reads the Auto Information (AI) function ON/ OFF.										Parameters:
Set	1	2	3	4	5	6	7	8	9	10	P1 0: AI OFF 1: Only old AI format is ON 2: Only extended AI format is ON 3: Both formats are ON
	A	I	P1	;							
Read	1	2	3	4	5	6	7	8	9	10	When the extended AI format is selected, the transceiver automatically sends the parameters. When the old AI is ON and the IF parameters change, the transceiver sends the IF command every 1.5 seconds. When the transceiver is turned OFF, the AI parameter becomes 0.
	A	I	;								
Answer	1	2	3	4	5	6	7	8	9	10	
	A	I	P1	;							

AN	Selects the antenna connector ANT1/ ANT2.										Parameters:
Set	1	2	3	4	5	6	7	8	9	10	P1 1: Selects ANT1 2: Selects ANT2
	A	N	P1	;							
Read	1	2	3	4	5	6	7	8	9	10	
	A	N	;								
Answer	1	2	3	4	5	6	7	8	9	10	
	A	N	P1	;							

AS	Sets or reads the Auto Mode function parameters.										Parameters:
Set	1	2	3	4	5	6	7	8	9	10	P1 0: Always 0 for the TS-480. P2 00 ~ 31: HF ~ 50 MHz band (32 points) P3 Frequency in Hz (11-digit). Unused digit(s) must be 0.
	A	S	P1	P2	P2	P3	P3	P3	P3	P3	
	11	12	13	14	15	16	17	18	19	20	
Read	P3	P3	P3	P3	P3	P3	P4	;			P4 0: Reserved 1: LSB 2: USB 3: CW 4: FM 5: AM 6: FSK 7: CWR (CW Reverse) 8: Reserved 9: FSR (FSK Reverse)
	1	2	3	4	5	6	7	8	9	10	
Answer	A	S	P1	P2	P2	P3	P3	P3	P3	P3	
	11	12	13	14	15	16	17	18	19	20	
	P3	P3	P3	P3	P3	P3	P4	;			

PC CONTROL COMMAND

BC	Sets or reads the Beat Canceller function status.										Parameters: P1 0: Beat Canceller OFF 1: Beat Canceller 1 (BC1) ON 2: Beat Canceller 2 (BC2) ON	
Set	1	2	3	4	5	6	7	8	9	10		
	B	C	P1	;								
Read	1	2	3	4	5	6	7	8	9	10		
	B	C	;									
Answer	1	2	3	4	5	6	7	8	9	10		
	B	C	P1	;								

BD	Moves down the frequency band.										Parameters: None	
Set	1	2	3	4	5	6	7	8	9	10		
	B	D	;									
Read	1	2	3	4	5	6	7	8	9	10		
Answer	1	2	3	4	5	6	7	8	9	10		

BU	Moves up the frequency band.										Parameters: None	
Set	1	2	3	4	5	6	7	8	9	10		
	B	U	;									
Read	1	2	3	4	5	6	7	8	9	10		
Answer	1	2	3	4	5	6	7	8	9	10		

BY	Reads the busy signal status.										Parameters: P1 Transceiver status 0: Not busy 1: Busy P2 Sub-receiver status (Not applicable for the TS-480) 0: Always 0 for TS-480.	
Set	1	2	3	4	5	6	7	8	9	10		
Read	1	2	3	4	5	6	7	8	9	10		
	B	Y	;									
Answer	1	2	3	4	5	6	7	8	9	10		
	B	Y	P1	P2	;							

CA	Sets and reads the CW Auto Zero-beat function status.										Parameters: P1 0: Cancels CW Auto Zero-beat function/ Not active 1: Activates CW Auto Zero-beat function/ Active	
Set	1	2	3	4	5	6	7	8	9	10		
	C	A	P1	;								
Read	1	2	3	4	5	6	7	8	9	10		
	C	A	;									
Answer	1	2	3	4	5	6	7	8	9	10		
	C	A	P1	;								

CH	Move the current VFO frequency 1 step up, using the MULTI control.										Parameters: P1 0: Move the MULTI control 1 step up 1: Move the MULTI control 1 step down In VFO mode, CH command overrides the MHz Up/ Down mode of the TS-480 transceiver.
Set	1	2	3	4	5	6	7	8	9	10	
	C	H	P1	;							
Read	1	2	3	4	5	6	7	8	9	10	
Answer	1	2	3	4	5	6	7	8	9	10	

CN	Sets and reads the CTCSS tone number.										Parameters: P1 00 ~ 41 Refer to page 33 of the TS-480 instruction manual for the CTCSS tone numbers and frequencies.
Set	1	2	3	4	5	6	7	8	9	10	
	C	N	P1	P1	;						
Read	1	2	3	4	5	6	7	8	9	10	
	C	N	;								
Answer	1	2	3	4	5	6	7	8	9	10	
	C	N	P1	P1	;						

CT	Sets and reads the CTCSS function status.										Parameters: P1 0: CTCSS function OFF 1: CTCSS function ON
Set	1	2	3	4	5	6	7	8	9	10	
	C	T	P1	;							
Read	1	2	3	4	5	6	7	8	9	10	
	C	T	;								
Answer	1	2	3	4	5	6	7	8	9	10	
	C	T	P1	;							

DL	Sets and reads the Digital Noise Limiter (DNL) function status.										Parameters: P1 0: DNL function OFF 1: DNL function ON P2 00: DNL Level 1 01: DNL Level 2 02: DNL Level 3
Set	1	2	3	4	5	6	7	8	9	10	
	D	L	P1	P2	P2	;					
Read	1	2	3	4	5	6	7	8	9	10	
	D	L	;								
Answer	1	2	3	4	5	6	7	8	9	10	
	D	L	P1	P2	P2	;					

DN	Emulates the microphone DWN key.										Parameters: P1 00 ~ 99 If no P1 parameter is specified, the command is interpreted as 1 step down. In Memory mode and Quick Memory mode, the command without a parameter is treated as a Memory channel down command. With parameters, it is treated as the frequency down command.
Set	1	2	3	4	5	6	7	8	9	10	
	D	N	P1	P1	;						
Read	1	2	3	4	5	6	7	8	9	10	
Answer	1	2	3	4	5	6	7	8	9	10	

PC CONTROL COMMAND

EX	Sets or reads the Extension Menu.										Parameters: P1 000 ~ 060: Menu No. P2 00: Always 00 for the TS-480 P3 0: Always 0 for the TS-480 P4 0: Always 0 for the TS-480 P5 A string of characters (Variable length) Normally 1-digit for the TS-480. Menu No. 32, 35 and 48 ~ 52 use 2-digit parameters.
	1	2	3	4	5	6	7	8	9	10	
Set	E	X	P1	P1	P1	P2	P2	P3	P4	P5	Command example: Display brightness EX00000000; (Display illumination OFF). EX00000003; (Display brightness level 3).
	11	12	13	14	15	16	17	18	19	20	
	P5	;									
Read	1	2	3	4	5	6	7	8	9	10	A string of characters (Variable length) Normally 1-digit for the TS-480. Menu No. 32, 35 and 48 ~ 52 use 2-digit parameters.
	E	X	P1	P1	P1	P2	P2	P3	P4	;	
Answer	1	2	3	4	5	6	7	8	9	10	
	E	X	P1	P1	P1	P2	P2	P3	P4	P5	
	11	12	13	14	15	16	17	18	19	20	
	P5	;									

PC CONTROL COMMAND

Menu No.	Function	EX command parameter P5										
		0	1	2	3	4	5	6	7	8	9	Over
000	Display brightness	OFF	1	2	3	4						
001	Key illumination	OFF	ON									
002	Auto Mode operation	OFF	ON									
003	Tuning control adjustment rate	250	500	1000								(Hz)
004	Tuning with Tuning control in FM mode	OFF	ON									
005	Rounds off VFO frequencies changed by using the MULTI control	OFF	ON									
006	9 kHz frequency step size for the MULTI control in AM mode on the AM broadcast band	OFF	ON									
007	Tunable (ON) or fixed (OFF) memory channel frequencies	OFF	ON									
008	Program scan partially slowed	OFF	ON									
009	Slow down frequency range for the Program scan	100	200	300	400	500						(Hz)
010	Program scan hold	OFF	ON									
011	Scan resume method	to	co									
012	Beep output level	OFF	1	2	3	4	5	6	7	8	9	
013	TX sidetone volume	OFF	1	2	3	4	5	6	7	8	9	
014	VGS-1 message playback volume	OFF	1	2	3	4	5	6	7	8	9	
015	VGS-1 announcement volume	OFF	1	2	3	4	5	6	7			
016	VGS-1 announcement speed	OFF	1	2	3	4						
017	Use CW IF filter for SSB reception	OFF	ON									
018	DSP RX equalizer	OFF	Hb1	Hb2	FP	bb1	bb2	c	U			
019	DSP TX equalizer	OFF	Hb1	Hb2	FP	bb1	bb2	c	U			
020	DSP TX filter bandwidth for SSB or AM	2.0	2.4									
021	Fine transmission power tuning	OFF	ON									
022	Time-out timer	OFF	3	5	10	20	30					(minutes)
023	Transverter frequency display	OFF	ON									
024	Output power adjustment for Transverter	OFF	ON									
025	TX hold when AT completes the tuning	OFF	ON									
026	In-line AT while receiving	OFF	ON									
027	Control method for the external AT	At1	At2									
028	Linear amplifier control delay for HF band	OFF	1	2	3							
029	Linear amplifier control delay for 50 MHz band	OFF	1	2	3							
030	Constant recording	OFF	ON									
031	Repeat the playback	OFF	ON									
032	Interval time for repeating the playback	0	1	2	3	4	5	6	7	8	9	~ 60 (in steps of 1 s)
033	Keying priority over playback	OFF	ON									
034	CW RX pitch/ TX sidetone frequency	400	450	500	550	600	650	700	750	800	850	~ 1000 (in steps of 50)
035	CW keying dot, dash weight ratio	AUTO	2.5	2.6	2.7	2.8	2.9	3.0	3.1	3.2	3.3	~ 4.0 (in steps of 0.1)
036	Reverse CW keying auto weight ratio	OFF	ON									
037	Bug key function	OFF	ON									

PC CONTROL COMMAND

Menu No.	Function	EX command parameter P5										
		0	1	2	3	4	5	6	7	8	9	Over
038	Swap dot and dash paddle position	OFF	ON									
039	Auto CW TX in SSB mode	OFF	ON									
040	Frequency correction for changing SSB to CW	OFF	ON									
041	FSK shift	170	200	425	850							(Hz)
042	FSK keying polarity	OFF	ON									
043	FSK tone frequency	1275	2125									(Hz)
044	Mic gain for FM	1	2	3								
045	Filter bandwidth for Data communications	OFF	ON									
046	AF input level for Data communications	0	1	2	3	4	5	6	7	8	9	
047	AF output level for Data communications	0	1	2	3	4	5	6	7	8	9	
048	Remote Control panel PF key	00 ~ 99 (2-digit) Refer to page 64 of the TS-480 instruction manual for the numbers and functions.										
049	Microphone PF1 key											
050	Microphone PF2 key											
051	Microphone PF3 key											
052	Microphone PF4 key											
053	Split frequency transfer in master/slave operation	OFF	ON									
054	Permit to write the transferred Split frequencies to the target VFOs	OFF	ON									
055	TX inhibit	OFF	ON									
056	COM port communication speed	4800	9600	19200	38400	57600	115200					(bps)
057	DTS polarity	OFF	ON									
058	Busy lockout (TX)	OFF	ON									
059	APO (Auto Power Off) function	OFF	60	120	180							(minutes)
060	Transmit with the audio input on the DATA terminal	OFF	ON									

FA	Reads and sets the VFO A frequency.										Parameters: P1 Specify the frequency in Hz (11-digit). For example, 00014195000 for 14.195 MHz. The blank digits must be 0.	
	Set	1	2	3	4	5	6	7	8	9		10
		F	A	P1	P1	P1	P1	P1	P1	P1		P1
		11	12	13	14	15	16	17	18	19		20
Read	P1	P1	P1	;								
Answer	1	2	3	4	5	6	7	8	9	10		
	F	A	P1	P1	P1	P1	P1	P1	P1	P1		
	11	12	13	14	15	16	17	18	19	20		
	P1	P1	P1	;								

FB	Reads and sets the VFO B frequency.										Parameters: P1 Specify the frequency in Hz (11-digit). For example, 00014195000 for 14.195 MHz. The blank digits must be 0.	
	Set	1	2	3	4	5	6	7	8	9		10
		F	B	P1	P1	P1	P1	P1	P1	P1		P1
		11	12	13	14	15	16	17	18	19		20
Read	P1	P1	P1	;								
Answer	1	2	3	4	5	6	7	8	9	10		
	F	B	P1	P1	P1	P1	P1	P1	P1	P1		
	11	12	13	14	15	16	17	18	19	20		
	P1	P1	P1	;								

FR	Selects or reads the VFO or M.CH mode of the receiver.										Parameters: P1 0: VFO A 1: VFO B 2: M.CH When P1=2, the FT command becomes invalid.	
	Set	1	2	3	4	5	6	7	8	9		10
		F	R	P1	;							
		11	12	13	14	15	16	17	18	19		20
Read	P1	P1	P1	;								
Answer	1	2	3	4	5	6	7	8	9	10		
	F	R	P1	;								
	11	12	13	14	15	16	17	18	19	20		
	P1	P1	P1	;								

FS	Selects or reads the Fine Tuning function status.										Parameters: P1 0: Fine Tuning function OFF 1: Fine Tuning function ON	
	Set	1	2	3	4	5	6	7	8	9		10
		F	S	P1	;							
		11	12	13	14	15	16	17	18	19		20
Read	P1	P1	P1	;								
Answer	1	2	3	4	5	6	7	8	9	10		
	F	S	P1	;								
	11	12	13	14	15	16	17	18	19	20		
	P1	P1	P1	;								

PC CONTROL COMMAND

FT	Selects or reads the VFO or M.CH mode of the transmitter.										Parameters: P1 0: VFO A 1: VFO B 2: M.CH									
Set	1	2	3	4	5	6	7	8	9	10	F	T	P1	;						
Read	1	2	3	4	5	6	7	8	9	10	F	T	;							
Answer	1	2	3	4	5	6	7	8	9	10	F	T	P1	;						

When P1=2 is selected for the FR command, the FT command becomes invalid.

FW	Selects or reads the DSP filtering bandwidth.										Parameters: P1 0000 ~ 9999 (in Hz) CW: 0050, 0080, 0100, 0150, 0200, 0300, 0400, 0500, 0600, 1000, 2000 FSK: 0250, 0500, 1000, 1500 SSB/FM/AM: 0000=Normal, 0001=NAR, 0002=NAR2									
Set	1	2	3	4	5	6	7	8	9	10	F	W	P1	P1	P1	P1	;			
Read	1	2	3	4	5	6	7	8	9	10	F	W	;							
Answer	1	2	3	4	5	6	7	8	9	10	F	W	P1	P1	P1	P1	;			

Use the SL or SH command to change the slope tune filter frequencies.

GT	Selects or reads the AGC constant status.										Parameters: P1 000: OFF 001: Fast 002: Slow									
Set	1	2	3	4	5	6	7	8	9	10	G	T	P1	P1	P1	;				
Read	1	2	3	4	5	6	7	8	9	10	G	T	;							
Answer	1	2	3	4	5	6	7	8	9	10	G	T	P1	P1	P1	;				

The GT command cannot be used in FM mode. The transceiver responds with 3 spaces when the GT command is used in FM mode.

ID	Reads the transceiver ID number.										Parameters: P1 020: TS-480									
Set	1	2	3	4	5	6	7	8	9	10										
Read	1	2	3	4	5	6	7	8	9	10	I	D	;							
Answer	1	2	3	4	5	6	7	8	9	10	I	D	P1	P1	P1	;				

IF	Retrieves the transceiver status.										Parameters: P1 Specify the frequency in Hz (11-digit). The blank digits must be "0". P2 5 spaces for the TS-480. P3 RIT/ XIT frequency ±9990 in Hz P4 0: RIT OFF, 1: RIT ON P5 0: XIT OFF, 1: XIT ON P6: Always 0 for the TS-480 (Memory channel bank number). P7: Memory channel number (00 ~ 99). P8 0: RX, 1: TX P9 Operating mode. Refer to the MD commands for details. P10 See FR and FT commands. P11 Scan status. Refer to the SC command. P12 0: Simplex operation, 1: Split operation P13 0: OFF, 1: TONE, 2: CTCSS P14 Tone number (00 ~ 42). Refer to the TN and CN command. P15 A space character for the TS-480.
	Set	1	2	3	4	5	6	7	8	9	
Read											
	I	F	;								
Answer	1	2	3	4	5	6	7	8	9	10	
	I	F	P1	P1	P1	P1	P1	P1	P1	P1	
	11	12	13	14	15	16	17	18	19	20	
	P1	P1	P1	P2	P2	P2	P2	P2	P3	P3	
	21	22	23	24	25	26	27	28	29	30	
	P3	P3	P3	P4	P5	P6	P7	P7	P8	P9	
	31	32	33	34	35	36	37	38	39	40	
P10	P11	P12	P13	P14	P14	P15	;				

IS	Sets and reads the IF SHIFT function status.										Parameters: P1 + or " " (a space): Plus shift -: Minus shift P2 0000 ~ 1100
	Set	1	2	3	4	5	6	7	8	9	
Read											
	I	S	;								
Answer											
	I	S	P1	P2	P2	P2	P2	;			

KS	Sets and reads the CW electric keyer's keying speed.										Parameters: P1 010 (min.) ~ 060 (max.) [in WPM]
	Set	1	2	3	4	5	6	7	8	9	
Read											
	K	S	;								
Answer											
	K	S	P1	P1	P1	;					

PC CONTROL COMMAND

KY	Converts the characters into Morse code.										Parameters: P1 0: Character buffer is available 1: Character buffer is not available (Answer command only. A space must be used for the Set command.) P2 Enter characters and numbers. Available characters are: ABCDEFGHIJKLMNOPQRSTUVWXYZ " " (space) 0123456789 " ' () * + , - . / : = ? Special characters: The following ASCII characters can be used in place of the special CW codes. BT=[, AR=_, AS=<, HH=#, SK=>, KN=], BK=\, SN=% The fixed 24-byte length is used for the P2 parameter. " " (space) character must be used for the unused characters. These space characters will not be converted. If all P2 parameter characters are spaces, the transceiver stops sending the message.	
	1 2 3 4 5 6 7 8 9 10											
	Set	K	Y	P1	P2	P2	P2	P2	P2	P2		P2
		11 12 13 14 15 16 17 18 19 20										
		P2	P2	P2	P2	P2	P2	P2	P2	P2		P2
		21 22 23 24 25 26 27 28 29 30										
Read	P2	P2	P2	P2	P2	P2	P2	;				
	1 2 3 4 5 6 7 8 9 10											
Answer	K	Y	P1	;								
	1 2 3 4 5 6 7 8 9 10											

LK	Sets and reads the key lock function status.										Parameters: P1 0: Frequency lock function OFF 1: Frequency lock function ON P2 0: Tuning control lock function OFF 1: Tuning control lock function ON	
	1 2 3 4 5 6 7 8 9 10											
	Set	L	K	P1	P2	;						
		1 2 3 4 5 6 7 8 9 10										
	Read	L	K	;								
		1 2 3 4 5 6 7 8 9 10										
Answer	L	K	P1	P2	;							
	1 2 3 4 5 6 7 8 9 10											

LM	Sets and reads the VGS-1 or electric keyer recording status.										Parameters: P1 1 ~ 3: CH (Recording Channel) number P2 0: Stop recording (Set command only) 0: Recording function is inactive 1: Ready for recording 2: Start recording (Busy status while recording) P3 000 ~ 060: Remaining recording time in seconds (Voice mode) 000 ~ 100: Recorded message capacity as a percentage (CW)	
	1 2 3 4 5 6 7 8 9 10											
	Set	L	M	P1	P2	;						
		1 2 3 4 5 6 7 8 9 10										
	Read	L	M	;								
		1 2 3 4 5 6 7 8 9 10										
Answer	L	M	P1	P2	P3	P3	P3	;				
	1 2 3 4 5 6 7 8 9 10											

MC	Recalls or reads the Memory channel.										Parameters: P1 0: Always 0 for the TS-480 (Memory bank number). P2 00 ~ 99: Channel number	
	1 2 3 4 5 6 7 8 9 10											
	Set	M	C	P1	P2	P2	;					
		1 2 3 4 5 6 7 8 9 10										
	Read	M	C	;								
		1 2 3 4 5 6 7 8 9 10										
Answer	M	C	P1	P2	P2	;						
	1 2 3 4 5 6 7 8 9 10											

MD	Recalls or reads the operating mode status.										Parameters: P1 0: No mode (Not used for the TS-480) 1: LSB 2: USB 3: CW 4: FM 5: AM 6: FSK 7: CWR (CW Reverse) 8: Tune (Not used for the TS-480) 9: FSR (FSK Reverse)	
	1 2 3 4 5 6 7 8 9 10											
	Set	M	D	P1	;							
		1 2 3 4 5 6 7 8 9 10										
	Read	M	D	;								
		1 2 3 4 5 6 7 8 9 10										
Answer	M	D	P1	;								
	1 2 3 4 5 6 7 8 9 10											

MF	Sets or reads Menu A or B.										Parameters: P1 0: Menu A 1: Menu B	
Set	1	2	3	4	5	6	7	8	9	10		
	M	F	P1	;								
Read	1	2	3	4	5	6	7	8	9	10		
	M	F	;									
Answer	1	2	3	4	5	6	7	8	9	10		
	M	F	P1	;								

MG	Sets or reads the Microphone gain status.										Parameters: P1 000 (min.) ~ 100 (max.)	
Set	1	2	3	4	5	6	7	8	9	10		
	M	G	P1	P1	P1	;						
Read	1	2	3	4	5	6	7	8	9	10		
	M	G	;									
Answer	1	2	3	4	5	6	7	8	9	10		
	M	G	P1	P1	P1	;						

ML	Sets or reads the TX Monitor function output level.										Parameters: P1 000: TX Monitor function OFF 001 (min.) ~ 009 (max.)	
Set	1	2	3	4	5	6	7	8	9	10		
	M	L	P1	P1	P1	;						
Read	1	2	3	4	5	6	7	8	9	10		
	M	L	;									
Answer	1	2	3	4	5	6	7	8	9	10		
	M	L	P1	P1	P1	;						

MR	Reads the Memory channel data.										Parameters: P1 0: RX frequency, 1: TX frequency P2 Always 0 for the TS-480. P3 00 ~ 99: Memory channel number P4 Frequency in Hz (11-digit). P5 Mode. Refer to the MD command. P6 Lockout status. 0: Lockout OFF, 1: Lockout ON. P7 0: OFF, 1: TONE, 2: CTCSS P8 Tone Number. Refer to page 35. P9 CTCSS tone number. Refer to the CN command. P10 Always 000 for the TS-480. P11 Always 0 for the TS-480. P12 Always 0 for the TS-480. P13 Always 000000000 for the TS-480. P14 Step size. Refer to the ST command. P15 Always 0 for the TS-480. P16 Memory name. A maximum of 8 characters.	
Set	1	2	3	4	5	6	7	8	9	10		
Read	1	2	3	4	5	6	7	8	9	10		
	M	R	P1	P2	P3	P3	;					
Answer	1	2	3	4	5	6	7	8	9	10		
	M	R	P1	P2	P3	P3	P4	P4	P4	P4		
	11	12	13	14	15	16	17	18	19	20		
	P4	P4	P4	P4	P4	P4	P4	P5	P6	P7		
	21	22	23	24	25	26	27	28	29	30		
	P8	P8	P9	P9	P10	P10	P10	P11	P12	P13		
	31	32	33	34	35	36	37	38	39	40		
	P13	P13	P13	P13	P13	P13	P13	P13	P14	P14		
	41	42	43	44	45	46	47	48	49	50		
	P15	P16	P16	P16	P16	P16	P16	P16	P16	;	Memory channel 90 ~ 99: P1=0 (start frequency), P1=1 (end frequency)	

PC CONTROL COMMAND

MW	Store the data to the Memory channel.										Parameters:
Set	1 2 3 4 5 6 7 8 9 10										P1
	M	W	P1	P2	P3	P3	P4	P4	P4	P4	P2
	11 12 13 14 15 16 17 18 19 20										0: RX frequency, 1: TX frequency
	P4	P4	P4	P4	P4	P4	P4	P5	P6	P7	P3
	21 22 23 24 25 26 27 28 29 30										Always 0 for the TS-480.
	P8	P8	P9	P9	P10	P10	P10	P11	P12	P13	P4
	31 32 33 34 35 36 37 38 39 40										00 ~ 99: Memory channel number
	P13	P13	P13	P13	P13	P13	P13	P13	P14	P14	P5
	41 42 43 44 45 46 47 48 49 50										Frequency in Hz (11-digit).
P15	P16	P16	P16	P16	P16	P16	P16	P16	;	P6	
Read	1 2 3 4 5 6 7 8 9 10										Mode. Refer to the MD command.
											P7
Answer	1 2 3 4 5 6 7 8 9 10										Lockout status. 0: Lockout OFF, 1: Lockout ON
											P8
										0: OFF, 1: TONE, 2: CTCSS	
										P9	
										Tone Number. Refer to the TN command.	
										P10	
										Always 000 for the TS-480.	
										P11	
										Always 0 for the TS-480.	
										P12	
										Always 0 for the TS-480.	
										P13	
										Always 000000000 for the TS-480.	
										P14	
										Step size. Refer to the ST command.	
										P15	
										Always 0 for the TS-480.	
										P16	
										Memory name. A maximum of 8 characters.	
										Memory channel 90 ~ 99:	
										P1=0 (start frequency), P1=1 (end frequency)	

NB	Set or reads the Noise Blanker (NB) function status.										Parameters:
Set	1 2 3 4 5 6 7 8 9 10										P1
	N	B	P1	;							0: Noise Blanker (NB) function OFF
Read	1 2 3 4 5 6 7 8 9 10										1: Noise Blanker (NB) function ON
	N	B	;								
Answer	1 2 3 4 5 6 7 8 9 10										
	N	B	P1	;							

NL	Set or reads the NB (Noise Blanker) level.										Parameters:
Set	1 2 3 4 5 6 7 8 9 10										P1
	N	L	P1	P1	P1	;					001 (min.) ~ 010 (max.)
Read	1 2 3 4 5 6 7 8 9 10										000 is treated as 001.
	N	L	;								010 ~ 999 are treated as 010.
Answer	1 2 3 4 5 6 7 8 9 10										
	N	L	P1	P1	P1	;					

NR	Sets or reads the Noise Reduction (NR) function status.										Parameters:
Set	1 2 3 4 5 6 7 8 9 10										P1
	N	R	P1	;							0: Noise Reduction (NR) OFF
Read	1 2 3 4 5 6 7 8 9 10										1: Noise Reduction 1 (NR1) ON
	N	R	;								2: Noise Reduction 2 (NR2) ON
Answer	1 2 3 4 5 6 7 8 9 10										
	N	R	P1	;							

OP	Reads the IF filter availability.										Parameters: P1 0: YF-107SN (1.8 kHz) is not installed. 1: YK-107SN (1.8 kHz) is installed. P2 0: YF-107C (500 Hz) is not installed. 1: YF-107C (500 Hz) is installed. P3 0: YF-107CN (270 Hz) is not installed. 1: YF-107CN (270 Hz) is installed.	
	Set	1	2	3	4	5	6	7	8	9		10
	Read	O	P	;								
	Answer	O	P	P1	P2	P3	;					

PA	Sets or reads the pre-amplifier function status.										Parameters: P1 0: Pre-amplifier OFF 1: Pre-amplifier ON P2 (Answer only) 0: Always 0 for the TS-480	
	Set	P	A	P1	;							
	Read	P	A	;								
	Answer	P	A	P1	P2	;						

PB	Sets or reads the VGS-1 or electric keyer playback status.										Parameters: P1 0: Stop playing back a message. 1: Playback CH1 2: Playback CH2 3: Playback CH3 P2 ~ P4 Playback queing buffer status. 0: Inactive 1: Playback CH1 2: Playback CH2 3: Playback CH3	
	Set	P	B	P1	;							
	Read	P	B	;								
	Answer	P	B	P2	P3	P4	;					

PC	Sets or reads the output power.										Parameters: TS-480HX P1 005 ~ 200 (in steps of 1) for SSB/ CW/ FM/ FSK mode 005 ~ 050 (in steps of 1) for AM mode TS-480SAT P1 005 ~ 100 (in steps of 1) for SSB/ CW/ FM/ FSK mode 005 ~ 025 (in steps of 1) for AM mode	
	Set	P	C	P1	P1	P1	;					
	Read	P	C	;								
	Answer	P	C	P1	P1	P1	;					

PL	Sets and reads the Speech Processor input/ output level.										Parameters: P1 Input level: 000 (min.) ~ 100 (max.) P2 Output level: 000 (min.) ~ 100 (max.)	
	Set	P	L	P1	P1	P1	P2	P2	P2	;		
	Read	P	L	;								
	Answer	P	L	P1	P1	P1	P2	P2	P2	;		

PC CONTROL COMMAND

PR	Sets or reads the Speech Processor function ON/ OFF.										Parameters: P1 0: Speech Processor OFF 1: Speech Processor ON									
Set	1	2	3	4	5	6	7	8	9	10	P	R	P1	;						
Read	1	2	3	4	5	6	7	8	9	10	P	R	;							
Answer	1	2	3	4	5	6	7	8	9	10	P	R	P1	;						

PS	Sets or reads the Power ON/ OFF status.										Parameters: P1 0: Power OFF (The transceiver's CPU is in active mode.) 1: Power ON 9: Power OFF (The transceiver's CPU is in sleep mode.)									
Set	1	2	3	4	5	6	7	8	9	10	P	S	P1	;						
Read	1	2	3	4	5	6	7	8	9	10	P	S	;							
Answer	1	2	3	4	5	6	7	8	9	10	P	S	P1	;						

When the transceiver is turned OFF and P1=9, a dummy data must be sent to the TS-480 to wake up the CPU. For example, send a string of "; ; ; PS1;" to turn the transceiver ON. If you use a hyper terminal program that comes with Windows to control the transceiver, disable the flow control in the program.

QI	Store the settings in the Quick Memory.										Parameters: None									
Set	1	2	3	4	5	6	7	8	9	10	Q	I	;							
Read	1	2	3	4	5	6	7	8	9	10										
Answer	1	2	3	4	5	6	7	8	9	10										

QR	Sets or reads the Quick Memory channel data.										Parameters: P1 0: Quick Memory OFF 1: Quick Memory ON P2 0 ~ 9: Quick Memory channel number									
Set	1	2	3	4	5	6	7	8	9	10	Q	R	P1	P2	;					
Read	1	2	3	4	5	6	7	8	9	10	Q	R	;							
Answer	1	2	3	4	5	6	7	8	9	10	Q	R	P1	P2	;					

RA	Sets or reads the Attenuator function status.										Parameters: P1 00: ATT OFF 01: ATT ON P2 00: Always 00 for the TS-480.									
Set	1	2	3	4	5	6	7	8	9	10	R	A	P1	P1	;					
Read	1	2	3	4	5	6	7	8	9	10	R	A	;							
Answer	1	2	3	4	5	6	7	8	9	10	R	A	P1	P1	P2	P2	;			

RC	Clears the RIT offset frequency.										Parameters: None
Set	1	2	3	4	5	6	7	8	9	10	
	R	C	;								
Read	1	2	3	4	5	6	7	8	9	10	
Answer	1	2	3	4	5	6	7	8	9	10	

RD	Moves the RIT offset frequency down. Speeds up the scan speed in Scan mode.										Parameters: P1 00000 ~ 99999 (the offset frequency in Hz) P2 1 ~ 9: Scan speed When Scan is OFF: If no parameter is specified, the frequency goes down 1 step. When Scan is ON: RD; to read the current scan speed. RDnnnnn; (nnnnn = Any number) to increase the scan speed by 1 step.
Set	1	2	3	4	5	6	7	8	9	10	
	R	D	P1	P1	P1	P1	P1	;			
Read	1	2	3	4	5	6	7	8	9	10	
	R	D	;								
Answer	1	2	3	4	5	6	7	8	9	10	
	R	D	P2	;							

RG	Sets or read the RF gain status.										Parameters: P1 000 (min.) ~ 100 (max.)
Set	1	2	3	4	5	6	7	8	9	10	
	R	G	P1	P1	P1	;					
Read	1	2	3	4	5	6	7	8	9	10	
	R	G	;								
Answer	1	2	3	4	5	6	7	8	9	10	
	R	G	P1	P1	P1	;					

RL	Sets or reads the Noise Reduction level.										Parameters: P1 When the NR1 is ON: 00 = AUTO, 01 ~ 09 When the NR2 is ON: 00 (2 ms) ~ 09 (20 ms) in steps of 2 ms
Set	1	2	3	4	5	6	7	8	9	10	
	R	L	P1	P1	;						
Read	1	2	3	4	5	6	7	8	9	10	
	R	L	;								
Answer	1	2	3	4	5	6	7	8	9	10	
	R	L	P1	P1	;						

RM	Sets or reads the Meter function.										Parameters: P1 Selects the meter scale 0: Unselected (Not available for the TS-480) 1: SWR 2: COMP 3: ALC P2 Meter value in dots: 0000 ~ 0010
Set	1	2	3	4	5	6	7	8	9	10	
	R	M	P1	;							
Read	1	2	3	4	5	6	7	8	9	10	
	R	M	;								
Answer	1	2	3	4	5	6	7	8	9	10	
	R	M	P1	P2	P2	P2	P2	;			

PC CONTROL COMMAND

RS	Reads the transceiver status.										Parameters: P1 0: Normal 1: The transceiver is busy configuring the various settings, such as M.SCR mode, Menu mode, or direct frequency entry mode.
Set	1	2	3	4	5	6	7	8	9	10	
Read	R	S	;								
Answer	R	S	P1	;							

RT	Sets or reads the RIT function status.										Parameters: P1 0: RIT function OFF 1: RIT function ON
Set	1	2	3	4	5	6	7	8	9	10	
Read	R	T	;								
Answer	R	T	P1	;							

RU	Moves the RIT offset frequency up. Slows down the scan speed in Scan mode.										Parameters: P1 00000 ~ 99999 (the offset frequency in Hz) P2 1 ~ 9: Scan speed When Scan is OFF: If no parameter is specified, the frequency increases by 1 step up. When Scan is ON: RU; to read the current scan speed. RUnnnnn; (nnnnn = Any number) to decrease the scan speed by 1 step.
Set	1	2	3	4	5	6	7	8	9	10	
Read	R	U	;								
Answer	R	U	P2	;							

RX	Sets the receiver function status.										Parameters: P1 0: Always 0 for the TS-480
Set	1	2	3	4	5	6	7	8	9	10	
Read	R	X	;								
Answer	R	X	P1	;							

SC	Sets or reads the SCAN function status.										Parameters: P1/ P2 0: Scan OFF 1: Scan ON 4: Tone Scan ON 5: CTCSS Scan ON P3 0: Normal Scan 1: Program Scan (Slow down) When P1=1 parameter is sent, the transceiver performs either Program Scan or VFO Scan depending on the VFO mode. In Memory Recall mode, it performs either Group Scan or All-Channel Scan depending on the transceiver status.
Set	1	2	3	4	5	6	7	8	9	10	
Read	S	C	;								
Answer	S	C	P2	P3	;						

SD	Sets or reads the CW Break-in time delay.										Parameters: P1 0000 ~ 1000 ms (in steps of 50 ms) 0000 is FBK (Full Break-in)	
	Set	1	2	3	4	5	6	7	8	9		10
		S	D	P1	P1	P1	P1	;				
	Read	1	2	3	4	5	6	7	8	9		10
	S	D	;									
Answer	1	2	3	4	5	6	7	8	9	10		
	S	D	P1	P1	P1	P1	;					

SH	Sets or reads the DSP filter settings.										Parameters: P1 00 ~ 13 SSB/ FM (Hz) 00: 1000, 01: 1200, 02: 1400, 03: 1600, 04: 1800, 05: 2000, 06: 2200, 07: 2400, 08: 2600, 09: 2800, 10: 3000, 11: 3400 12: 4000, 13: 5000 AM (Hz) 00: 2500, 01: 3000, 02: 4000, 03: 5000 When Menu No. 45 is ON, specify the center frequency for the filter. 00: 1000 Hz, 01: 1500 Hz, 02: 2210 Hz	
	Set	1	2	3	4	5	6	7	8	9		10
		S	H	P1	P1	;						
	Read	1	2	3	4	5	6	7	8	9		10
	S	H	;									
Answer	1	2	3	4	5	6	7	8	9	10		
	S	H	P1	P1	;							

SL	Sets or reads the DSP filter settings.										Parameters: P1 00 ~ 11 SSB/ FM (Hz) 00: 0, 01: 50, 02: 100, 03: 200, 04: 300, 05: 400, 06: 500 07: 600, 08: 700, 09: 800, 10: 900, 11: 1000 AM (Hz) 00: 0, 01: 100, 02: 200, 03: 500 When Menu No. 45 is ON, specify the filter bandwidth. 00: 50, 01: 100, 02: 250, 03: 500, 04: 1000, 05: 1500, 06: 2400 (Hz)	
	Set	1	2	3	4	5	6	7	8	9		10
		S	L	P1	P1	;						
	Read	1	2	3	4	5	6	7	8	9		10
	S	L	;									
Answer	1	2	3	4	5	6	7	8	9	10		
	S	L	P1	P1	;							

SM	Reads the S-meter status.										Parameters: P1 0: Always 0 for the TS-480. P2 Meter readings 0000 ~ 0020	
	Set	1	2	3	4	5	6	7	8	9		10
	Read	1	2	3	4	5	6	7	8	9		10
	S	M	P1	;								
Answer	1	2	3	4	5	6	7	8	9	10		
	S	M	P1	P2	P2	P2	P2	;				

SQ	Sets and reads the squelch level.										Parameters: P1 0: Always 0 for the TS-480. P2 Squelch level 000 ~ 255	
	Set	1	2	3	4	5	6	7	8	9		10
		S	Q	P1	P2	P2	P2	;				
	Read	1	2	3	4	5	6	7	8	9		10
	S	Q	P1	;								
Answer	1	2	3	4	5	6	7	8	9	10		
	S	Q	P1	P2	P2	P2	;					

PC CONTROL COMMAND

SR	Resets the transceiver.										Parameters:
Set	1	2	3	4	5	6	7	8	9	10	P1 1: VFO reset 2: Full reset
	S	R	P1	;							
Read	1	2	3	4	5	6	7	8	9	10	
Answer	1	2	3	4	5	6	7	8	9	10	

SS	Sets or reads the Program Scan pause frequency.										Parameters:
Set	1	2	3	4	5	6	7	8	9	10	P1 0 ~ 9: Memory Channel number for the Program Scan (0: Memory Channel 90 ~ 9: Memory channel 99) P2 0 ~ 4: Slow down frequency (5 locations) P3 Slow down frequency (11-digit) If the specified P1 Memory channel is empty, the command becomes invalid. The P2 parameter must be specified sequentially from 0. If the previous parameter is not specified, the parameter cannot be accepted. The slow down frequency parameter must be within the frequency range of each Memory channel.
	S	S	P1	P2	P3	P3	P3	P3	P3	P3	
	11	12	13	14	15	16	17	18	19	20	
Read	P3	P3	P3	P3	P3	;					
	1	2	3	4	5	6	7	8	9	10	
	S	S	P1	P2	;						
Answer	1	2	3	4	5	6	7	8	9	10	
	S	S	P1	P2	P3	P3	P3	P3	P3	P3	
	11	12	13	14	15	16	17	18	19	20	
	P3	P3	P3	P3	P3	;					

ST	Sets or reads the MULTI control frequency steps.										Parameters:
Set	1	2	3	4	5	6	7	8	9	10	P1 SSB/ CW/ FSK mode: 00 ~ 04 00: 0.5 kHz, 01: 1 kHz, 02: 2.5 kHz, 03: 5 kHz, 04: 10 kHz AM/ FM mode: 00 ~ 09 00: 5 kHz, 01: 6.25 kHz, 02: 10 kHz, 03: 12.5 kHz, 04: 15 kHz, 05: 20 kHz, 06: 25 kHz, 07: 30 kHz, 08: 50 kHz, 09: 100 kHz
	S	T	P1	P1	;						
Read	1	2	3	4	5	6	7	8	9	10	
	S	T	;								
Answer	1	2	3	4	5	6	7	8	9	10	
	S	T	P1	P1	;						

SU	Sets or reads the Program Scan (VGROUPE)/ Memory Group (MGROUPE) selection status.										Parameters:
Set	1	2	3	4	5	6	7	8	9	10	P1 0: Program Scan Group (VGROUPE) 1: Memory Group (MGROUPE) P2 Group 0. 0: Unselected, 1 ~ 9: Selected P3 Group 1. 0: Unselected, 1 ~ 9: Selected P4 Group 2. 0: Unselected, 1 ~ 9: Selected P5 Group 3. 0: Unselected, 1 ~ 9: Selected P6 Group 4. 0: Unselected, 1 ~ 9: Selected P7 Group 5. 0: Unselected, 1 ~ 9: Selected P8 Group 6. 0: Unselected, 1 ~ 9: Selected P9 Group 7. 0: Unselected, 1 ~ 9: Selected P10 Group 8. 0: Unselected, 1 ~ 9: Selected P11 Group 9. 0: Unselected, 1 ~ 9: Selected
	S	U	P1	P2	P3	P4	P5	P6	P7	P8	
	11	12	13	14	15	16	17	18	19	20	
Read	P9	P10	P11	;							
	1	2	3	4	5	6	7	8	9	10	
	S	U	P1	;							
Answer	1	2	3	4	5	6	7	8	9	10	
	S	U	P1	P2	P3	P4	P5	P6	P7	P8	
	11	12	13	14	15	16	17	18	19	20	
	P9	P10	P11	;							

SV	Execute the Memory Transfer function.										Parameters: No parameter
Set	1	2	3	4	5	6	7	8	9	10	
	S	V	;								
Read	1	2	3	4	5	6	7	8	9	10	
Answer	1	2	3	4	5	6	7	8	9	10	

TN	Sets or reads the Tone frequency number.										Parameters: P1 00 ~ 42 Refer to page 32 of the TS-480 instruction manual for the Tone numbers and frequencies.
Set	1	2	3	4	5	6	7	8	9	10	
	T	N	P1	P1	;						
Read	1	2	3	4	5	6	7	8	9	10	
	T	N	;								
Answer	1	2	3	4	5	6	7	8	9	10	
	T	N	P1	P1	;						

TO	Sets or reads the Tone function ON/ OFF.										Parameters: P1 0: Tone function OFF 1: Tone function ON
Set	1	2	3	4	5	6	7	8	9	10	
	T	O	P1	;							
Read	1	2	3	4	5	6	7	8	9	10	
	T	O	;								
Answer	1	2	3	4	5	6	7	8	9	10	
	T	O	P1	;							

TS	Sets or reads the TF-SET function status.										Parameters: P1 0: TF-SET function OFF 1: TF-SET function ON
Set	1	2	3	4	5	6	7	8	9	10	
	T	S	P1	;							
Read	1	2	3	4	5	6	7	8	9	10	
	T	S	;								
Answer	1	2	3	4	5	6	7	8	9	10	
	T	S	P1	;							

TX	Sets the transceiver in TX mode.										Parameters: P1 0: Normal (SEND) transmission using MIC input 1: DTS transmission using ANI input 2: TX Tune transmission If no P1 parameter is specified, P1=0 is used. P2 Always 0 for the TS-480.
Set	1	2	3	4	5	6	7	8	9	10	
	T	X	P1	;							
Read	1	2	3	4	5	6	7	8	9	10	
Answer	1	2	3	4	5	6	7	8	9	10	
	T	X	P2	;							

PC CONTROL COMMAND

TY	Sets or reads the microprocessor firmware type.										Parameters: P1 Reserved P2 0: TS-480HX (200 W) 1: TS-480SAT (100 W + AT) 2: Japanese 50 W type 3: Japanese 20 W type									
Set	1	2	3	4	5	6	7	8	9	10										
Read	1	2	3	4	5	6	7	8	9	10	T	Y	;							
Answer	1	2	3	4	5	6	7	8	9	10	T	Y	P1	P1	P2	;				

UL	Detects the PLL unlock status.										Parameters: P1 0: Lock 1: Unlock									
Set	1	2	3	4	5	6	7	8	9	10										
Read	1	2	3	4	5	6	7	8	9	10										
Answer	1	2	3	4	5	6	7	8	9	10	U	L	P1	;						

UP	Emulates the microphone UP key.										Parameters: P1 00 ~ 99 If no P1 parameter is specified, the command is interpreted as 1 step up. In Memory mode and Quick Memory mode, commands without parameters are treated as Memory channel up commands. With parameters, they are treated as frequency up commands.									
Set	1	2	3	4	5	6	7	8	9	10	U	P	P1	P1	;					
Read	1	2	3	4	5	6	7	8	9	10										
Answer	1	2	3	4	5	6	7	8	9	10										

VD	Sets or reads the VOX delay time.										Parameters: P1 0000 ~ 3000 ms (in steps of 150)									
Set	1	2	3	4	5	6	7	8	9	10	V	D	P1	P1	P1	P1	;			
Read	1	2	3	4	5	6	7	8	9	10	V	D	;							
Answer	1	2	3	4	5	6	7	8	9	10	V	D	P1	P1	P1	P1	;			

VG	Sets or reads the VOX GAIN.										Parameters: P1 000 ~ 009									
Set	1	2	3	4	5	6	7	8	9	10	V	G	P1	P1	P1	;				
Read	1	2	3	4	5	6	7	8	9	10	V	G	;							
Answer	1	2	3	4	5	6	7	8	9	10	V	G	P1	P1	P1	;				

VR	Emulates the VOICE1 or VOICE2 key.										Parameters: P1 0: Normal 1: VOICE1 2: VOICE2 3: Disable the Voice Guide function After P1=3 is sent to the transceiver, P1=1 and 2 cannot be used. To use the P1=1 and 2 parameters, first send P1=0 to reset the status. When the transceiver is turned OFF, it resets to P1=0.
Set	1	2	3	4	5	6	7	8	9	10	
	V	R	P1	;							
Read	1	2	3	4	5	6	7	8	9	10	
Answer	1	2	3	4	5	6	7	8	9	10	

VV	Equalizes VFO A and VFO B settings.										Parameters: None
Set	1	2	3	4	5	6	7	8	9	10	
	V	V	;								
Read	1	2	3	4	5	6	7	8	9	10	
Answer	1	2	3	4	5	6	7	8	9	10	

VX	Sets or reads the VOX function status.										Parameters: P1 0: VOX function OFF 1: VOX function ON
Set	1	2	3	4	5	6	7	8	9	10	
	V	X	P1	;							
Read	1	2	3	4	5	6	7	8	9	10	
	V	X	;								
Answer	1	2	3	4	5	6	7	8	9	10	
	V	X	P1	;							

XI	Reads the transmission frequency, mode and MULTI control frequency step size.										Parameters: P1 The frequency in Hz (11-digit). For example, 00014195000 for 14.195 MHz. P2 Transmission mode. Refer to the MD command parameters. P3 MULTI control frequency step size. Refer to the ST command parameters.
Set	1	2	3	4	5	6	7	8	9	10	
Read	1	2	3	4	5	6	7	8	9	10	
	X	T	;								
Answer	1	2	3	4	5	6	7	8	9	10	
	X	T	P1	P1	P1	P1	P1	P1	P1	P1	
	11	12	13	14	15	16	17	18	19	20	
	P1	P1	P1	P2	P3	P3	;				

PC CONTROL COMMAND

XO	Sets and reads the offset direction and frequency for the transverter mode.										Parameters: P1 Offset direction. 0: Plus direition 1: Minus direction P2 Offset frequency (11-digit). For example, 00094000000 for 94.000 MHz. The blank digits must be 0.
	Set	1	2	3	4	5	6	7	8	9	
X		O	P1	P2	P2	P2	P2	P2	P2	P2	
Read	11	12	13	14	15	16	17	18	19	20	
	P2	P2	P2	P2	;						
Answer	1	2	3	4	5	6	7	8	9	10	
	X	O	;								
Set	1	2	3	4	5	6	7	8	9	10	
	X	O	P1	P2	P2	P2	P2	P2	P2	P2	
Read	11	12	13	14	15	16	17	18	19	20	
	P2	P2	P2	P2	;						

XT	Sets or reads the XIT function status.										Parameters: P1 0: XIT function OFF 1: XIT function ON
	Set	1	2	3	4	5	6	7	8	9	
X		T	P1	;							
Read	1	2	3	4	5	6	7	8	9	10	
	X	T	;								
Answer	1	2	3	4	5	6	7	8	9	10	
	X	T	P1	;							

KENWOOD